

V3 COLOR

Viewing Lamp

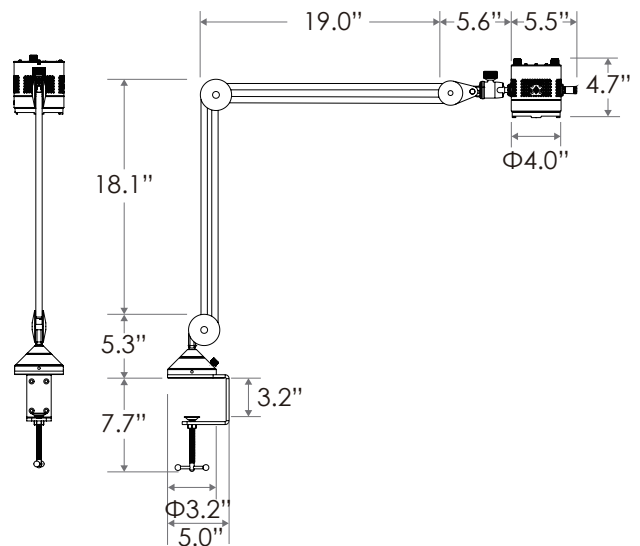
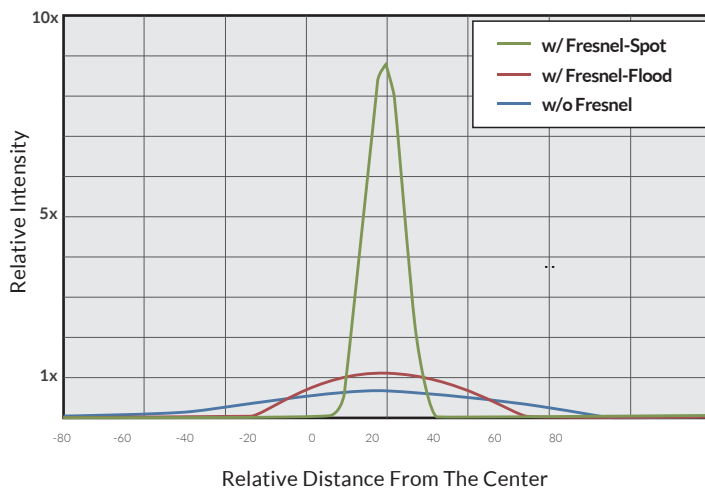
The **V3 COLOR** is an extremely versatile LED task lamp designed for professionals who require color-critical illumination. The V3 draws 90W of power to produce LED output greater than a traditional 300W bulb. It outputs full spectrum white light with CCT adjustable from 2000-1000K that is carefully calibrated at all settings, giving an average Color Rendering Index of 95. It can also output saturated colors for stylistic or filtering applications. The body is designed and constructed to prioritize ergonomics and safety. Tension adjustable ball joints, locking positions, and a foam padded snoot enable the light to safely navigate around subjects. The IPX4 water resistant rating means that it can also operate in wetter environments.



FEATURES

- 2000 - 10000K continuous CCT tuning
- Color modes that output saturated color
- 300W tungsten output (90W draw)
- High CRI values at every color temperature
- Does not emit UV light/radiation
- Dims to 0% without flicker or color shift
- Precise color calibration for consistent quality
- OLED display for monitoring settings
- Quiet and cool to the touch
- Water resistant (IP-X4)
- Ergonomically designed
- Versatile mounting
- Optional light modifiers available

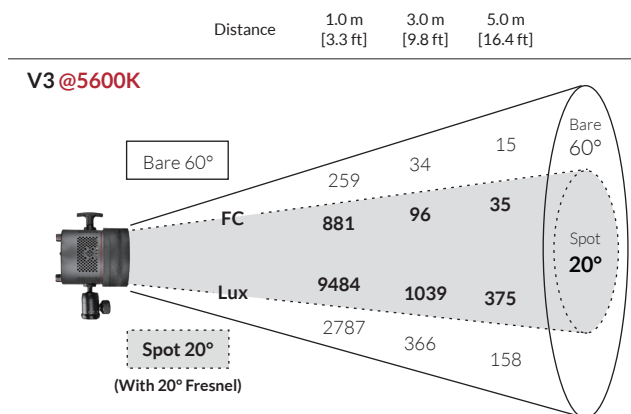
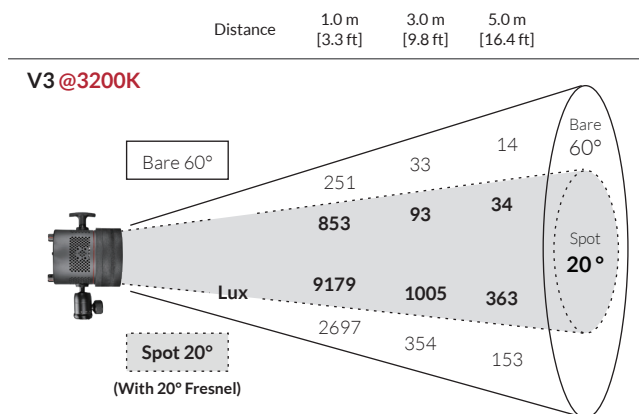
BEAM PROFILE



SPECIFICATIONS

Beam Angle	60° (20° with fresnel accessory)
CCT Range	2000 - 10000K continuous tuning + magenta/green shift
CRI/TLCI	95/90 typical
Control Modes	EZ CCT, EZ HSI, EZ RGBW, EZ CIExy, and more
Dimming	100% - 0% flicker free
Light Engine	DiCon Dense Matrix LED
Power Draw	90W max
DC Input	14 - 30V DC (via 5.5mm x 2.5mm Barrel)
AC Input	100 - 240V AC, 50 - 60Hz (via 5.5mm x 2.5mm Barrel)
DMX Control	TRRS (XLR-5 DMX Adapter accessory available)
Display Type	OLED
Weight	7.5lb / 3.4kg
Light Size (L x W x H)	5.5" x 4.0" x 4.7" / 14.0cm x 10.2cm x 12.0cm
Arm Size	Fully extended: 36.2" / 91.9cm Base: W 3.2" x H 7.6" / W 8.1cm x H 19.3cm
Mount Style	Table mount (0 - 2.8" gap) Base adapter (fits baby 5/8" & junior 1-1/8" studs)
Thermal Design	Advanced vapor cooling system (fan cooled)
Acoustic Noise	22.7dB (professional recording studio level)
Operating Temperature	0-40°C / 32-104°F

PHOTOMETRIC DATA



OPTIONAL ACCESSORIES



FLXP3CLR-DOME15



FLXP3CLR-FRNL20